

## Blue Wizard Extraction Fan



### Designed to assist in the ventilation of specific confined work areas.

In confined environments, good ventilation is essential for safety and productivity. Blue Wizard Fans can be used to blow fresh air into a work space or to extract air from it.

During abrasive blasting, ventilation is critical to maintain good visibility for operators. Airborne Dust can be extracted from confined spaces and discharged through the fan to a disposal area.

Electric Blue Wizard Fans are not to be used to extract fumes, solvents or other flammable airborne contaminants.

#### Flexible uses with maximum airflow.

Blue Wizard Fans have a selected extraction impeller, pitched to draw the maximum airflow from a ventilation zone.

Ductwork or dust socks can be attached to the integral 500mm duct adaptors. Ducting can be used both before and after the fan, or alternatively a dust sock can be attached to the discharged side of the fan. Dust socks are not for use with hazardous dusts like lead paint, coal tar etc.

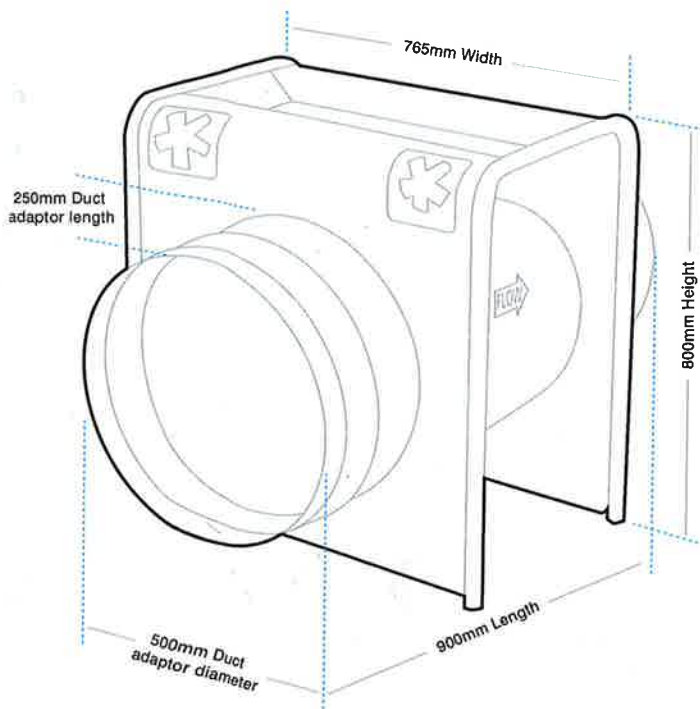
#### Built to last.

Units can be supplied with electric or pneumatic powered motors. Built for rugged on-site use, the long life, powder coated construction incorporates carry handles as part of its heavy duty frame which encloses and protects all controls.

Where your job requires more than the Blue Wizard ventilation fans can offer, simply call us and we will be glad to discuss with you the system that best suits your requirements.



# Blue Wizard Extraction Fan



## Electric



- Fan 'ON/OFF' Switch
- Electric cord Hanger
- Six Metre lead with plug

## Pneumatic



- Air inlet connector
- ON/OFF Switch
- Lubricator
- Moisture separator

## Electric Powered

Single phase and three phase units can be safely used for inorganic mineral dusts, however they can not be used in hazardous areas containing combustible dust or flammable fumes.

Should you require an electric unit with flameproof motor, a special unit can be assembled at your request.

A weather proof switch is mounted on the casing and a six metre lead with a 10 amp plug is included. All electric units have a "cord tidy" to prevent damage to the lead.

The standard units have a motor rating of IP55.

## Pneumatic Powered

The pneumatic units are powered by a heavy duty air motor. This gives it a distinct advantage over the electric units. No site electrical power supply is required. Each unit uses a quality moisture separator and lubricator to ensure extended life and hassle free operation.

## Accessories

**Dust Sock** - For the collection of non-hazardous visible dusts, the Dust sock is attached to the discharge side of the Blue Wizard Fan. Sock inflates on fan start up and will capture most visible dusts. Incorporates a clean out access opening. Size: 6 metres long x 1.5 metres diameter.

**Part number BMX 1000**

*Should you require any information on high efficiency filtration and lead containment, please contact your Blastmaster representative.*

**Duct Joiners** - Heavy duty 500mm duct joiner.

**Part number DC BMA20J**

**Duct Clamp** - Quick release clamp for 500mm ducting, designed to clamp ducting to duct joiner or fan duct adaptor.

**Part number DC BMA20C**

**Flexible Ducting** - Blastmaster 500mm Flexible Ducting is ideal for on-site use when a fast set up is required. Manufactured from wire reinforced durable materials designed to take high vacuum conditions.

## Blue Wizard Extractor Fan Specifications

Model	Motor	Amps	Energy Requirements	Fan Ø (mm)	No of Blades	Air Capacity*	Weight (kg)
DC BMX20E1	2.2kW 1Ø	9.8	240V 50Hz	490	5	6,800 cfm	100
DC BMX20E3	4kW 3Ø	7.5	415V 50Hz	490	5	9,200 cfm	120
DC BMX20P	5hp Air Motor	-	175 cfm 100psi	490	5	9,500 cfm	90

\*Nominal

**BLASTMASTER®**

3 Bruce Avenue, Marleston  
South Australia 5033

P 08 8292 2000 Free Call 1800 882 229

F 08 8292 2001

E sales@blastmaster.com.au