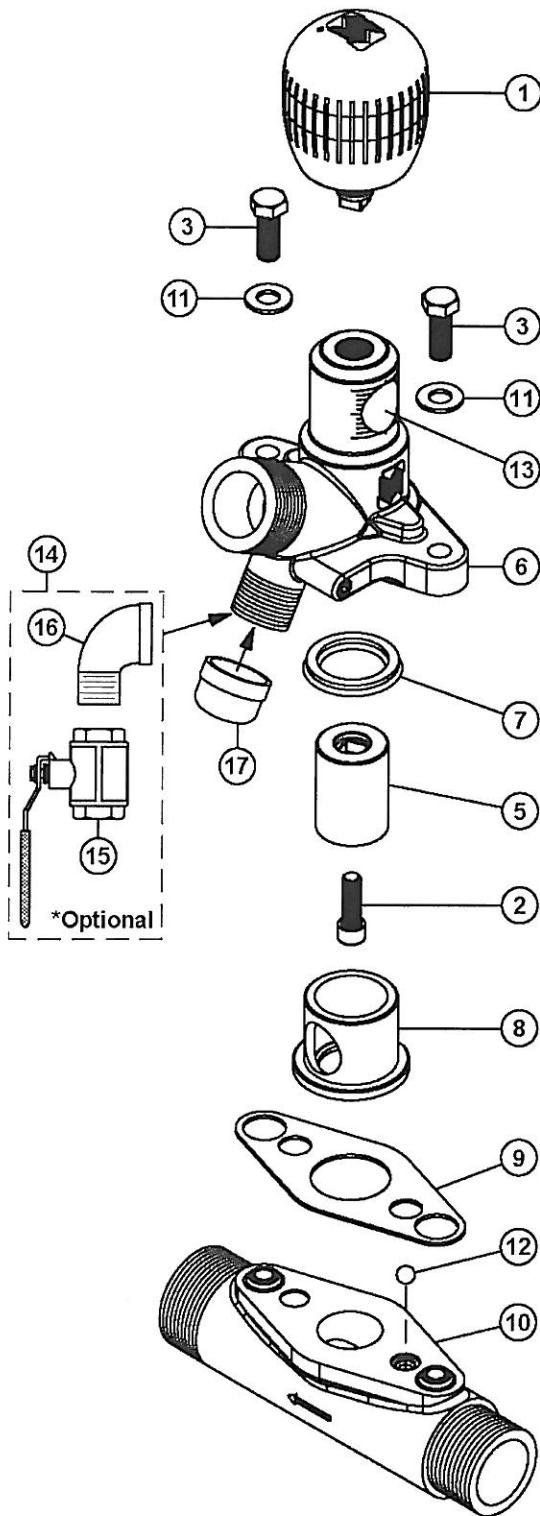


MV2 (Micro Valve II)



No.	Part No.	Description
	2127-107	MV2 Valve Assembly, Urethane 1-1/4" & 1"
	2127-108	MV2 Valve Assembly, Urethane 1-1/2"
	2127-100-98	Replacement Parts Kit, Seals Only
	2127-100-99	Replacement Parts Kit
1.	2127-000-01	Knob
2.*	7011-005-060	Socket Head Cap Screw, 5/16" x 1" Lg. Self Sealing
3.	7010-507-06	Hex Bolt, 3/8" x 1" Lg.
5.*	2127-000-05	Plunger
6.	2127-000-06	Body
7.*	2149-500-06	Plunger Seal
8.*	2127-100-08	Polyurethane Sleeve
9.*	2127-000-15	Gasket
10.	2127-007-10	Base, 1 1/4"
	2127-008-10	Base, 1 1/2"
11.	7027-503-02	Flat Washer, 3/8"
12.*	2127-000-12	Ball
13.	2127-000-13	Orifice Indicator Decal
14.	2127-000-14	Cleanout Ball Valve Adder
15.	2401-505	Ball Valve, 3/4" Full Port
16.	3006-105	Street Elbow 90°, 3/4" Galv.
17.	3037-105	Pipe Cap, 3/4" Galv.
		* Included In Replacement Parts Kit
		+ Included In Replacement Parts Kit, Seals Only

Notes:

- (1) An 1-1/4" MV2 with a reducing elbow is used in 1" piping systems.
- (2) Hex bolts (item 3) should be torqued to 30-35 ft.-lbs.

(CUP FACING DOWN)

